

電機系 DEPARTMENT OF ELECTRICAL ENGINEERING

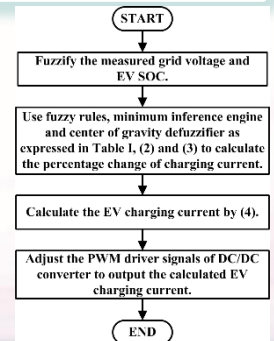
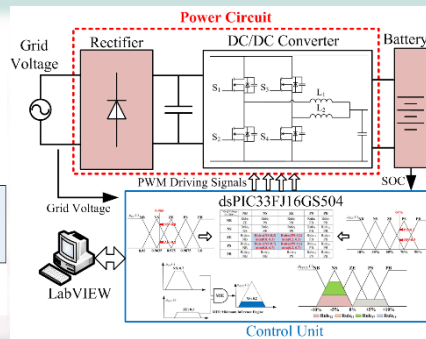
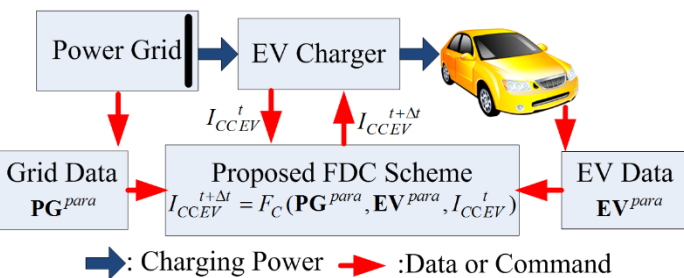
Smart Grid and Green Energy System

Main Research

- Smart grids and advanced distribution automation systems
- Hybrid energy storage systems and energy management
- Centralized and decentralized charging controls for EVs.
- Conversion efficiency enhancement for renewable energy generation systems



Decentralized EV Charging Control



Retired-Battery-Based Energy Storage System

