

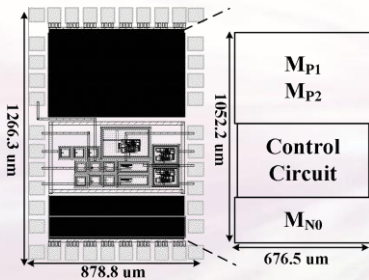
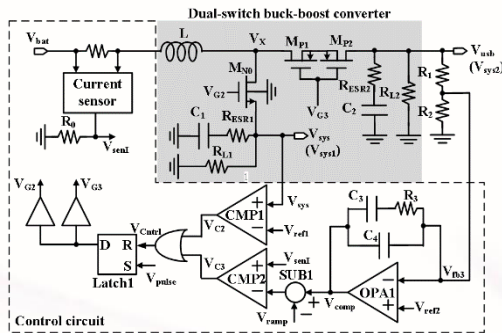
Mixed-Signal IC Design Laboratory

Main Research

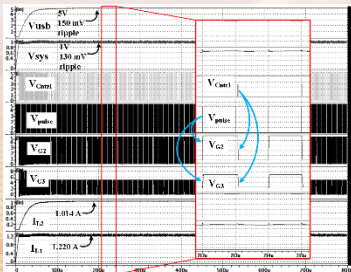
- Mixed-signal IC
- Wide-range I/O buffer
- Biomedical IC
- Power management IC

Highlight

Single-inductor dual outputs buck-boost converter with dual switches

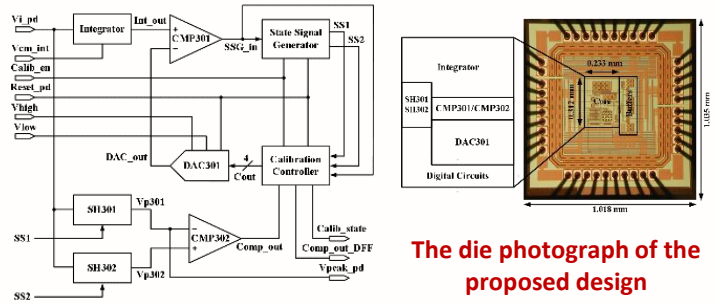


Layout of the proposed design

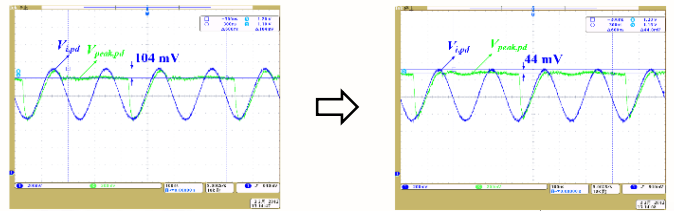


Simulated waveforms in steady state

Delay-Time-Compensated Peak Detector for Medium-Frequency Band

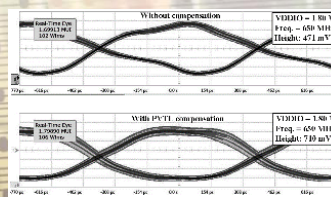
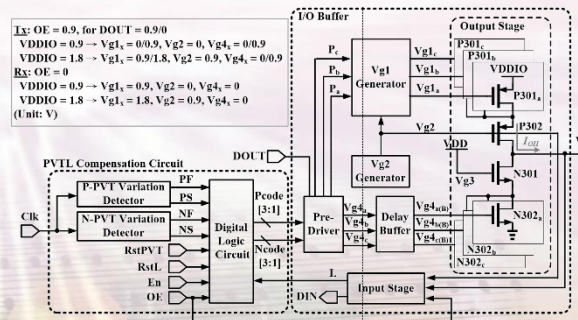


The die photograph of the proposed design

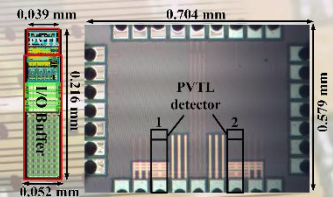


Measured waveforms after compensation

A Slew Rate Variation Compensated 2xVDD I/O Buffer



Measured eye diagram



Die photo